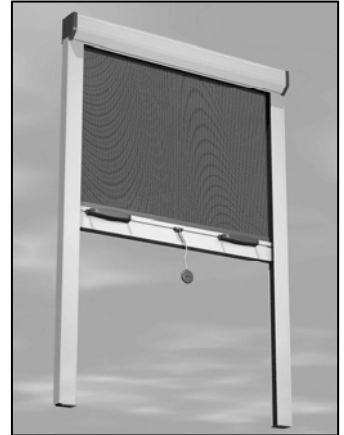


Bravoscreens.com

VERTICAL WINDOW RETRACTABLE SCREEN INSTALLATION INSTRUCTIONS

Measuring and installation of your new window retractable screen is quick and simple. A typical installation involves mounting the screen housing in the recesses of the window using the recess mounting clip(s) provided. Typically this results in the screen housing simply resting within the natural profile of the window frame where it is non-invasive and virtually unnoticed.



Begin by identifying the location where the housing will rest. Start by measuring the tight dimensions of the opening area where the retractable screen will rest; record your measurements.

Dimensions:

Housing: _____ [Deduct 11/16" Before Cutting]

Side Rails: _____ [Deduct 1-3/4" Before Cutting]

Procedure:

Once you have determined the location for the retractable screen housing and the sizes needed, place the length of housing on your table and carefully unwrap. Mark the exact dimension of your cut remembering first to **subtract 11/16"** from the housing measurement of the opening to account for the housing ends caps that you will apply in subsequent steps.

Grasp the unit with one hand and hold it firmly while you cut the housing. Always cut the housing so that the saw blade rotates in a direction that will tighten the screen mesh in the housing rather than potentially unwinding the mesh causing a ragged cut on the screen mesh. After making the cut be certain to grasp the unit, hold upright to tap any metal shavings out.



Now, place the housing on the table, open the accessory kit and empty contents for assembly. Insert the spring assembly in the proper end. The spring will require the proper amount of tension (see tension chart), using a clockwise winding motion (fig 2). You may wish to adjust these numbers to suit your personal preference. Out of square openings, debris and other factors can affect the drag upon the screen. Also, tension may be adjusted to help compensate for areas with higher winds; winds strong enough to blow the mesh and create a slight sail effect. The more spring tension (or turns), the tighter the screens resistance and rigidity while the screen is engaged (extended). Additionally, if you are installing the optional dampener (brake), you can adjust the speed of the screens retraction by slightly adjusting the spring tension.

Housing Length	Spring Tension
24"	6-8 Turns
30"	12-13 Turns
36"	13-14 Turns
42"	14-15 Turns
48"	15-16 Turns
54"	16-17 Turns
60"	17-18 Turns
66"	18-19 Turns
72"	19-20 Turns

Bravoscreens.com

Now, turn your attention to the other end of the housing. You may also choose to include the optional hydraulic dampener to the inside of this end cap; this device controls the recoil speed of the retractable screen. If you are using a dampener, attach it as shown to the end cap (with bushing between the end cap and dampener), and insert then it inside screen tube as shown (fig 4). Make certain to align the notch on the bushing to the internal tube groove and fully insert bushing; now, push the end cap pins into their openings and tap evenly with a soft mallet until the end cap is flush with the end of the housing. Now insert the screw provided to secure the caps to the housing (take care to insure the screw goes into the hole in the housing; if it misses the screw will be against the mesh and possibly cause damage (fig 3).



fig 1

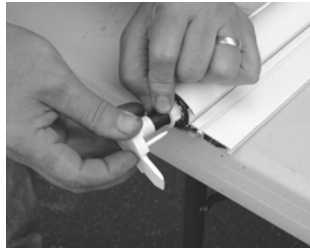


fig 2

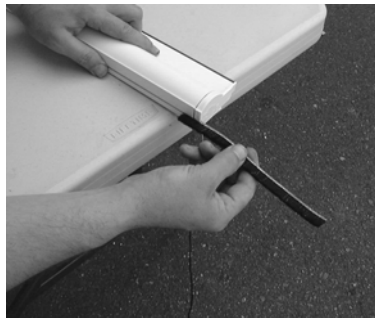


fig 3



fig 4 (Optional Brake)

Now, install handles within the side grooves of the pull rail, the optional pull cord, the bug pile within the end groove of the pull rail and finally the pull rail end caps.



Be certain to crimp the very ends of each extrusion with pliers. Crimping these ends is critical to prevent the insect piling and magnet from sliding out of the rails.

It's that simple; you are now ready for installation.

Installation:

1 – Fasten the recess mounting clip to the window frame using screw provided. Set the housing in place and snap into clip assembly.



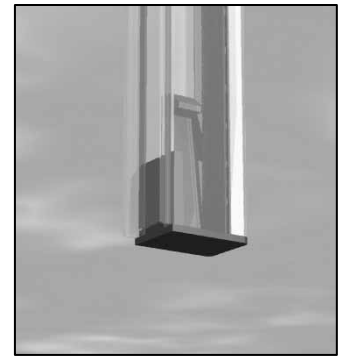
Bravoscreens.com



2 – Grasp side rails and insert the bottom internal lock end caps. Next, insert both side rails onto protruding edge of housing end caps. Align rails plum into final position on window and fasten to window frame using screws.

Operation:

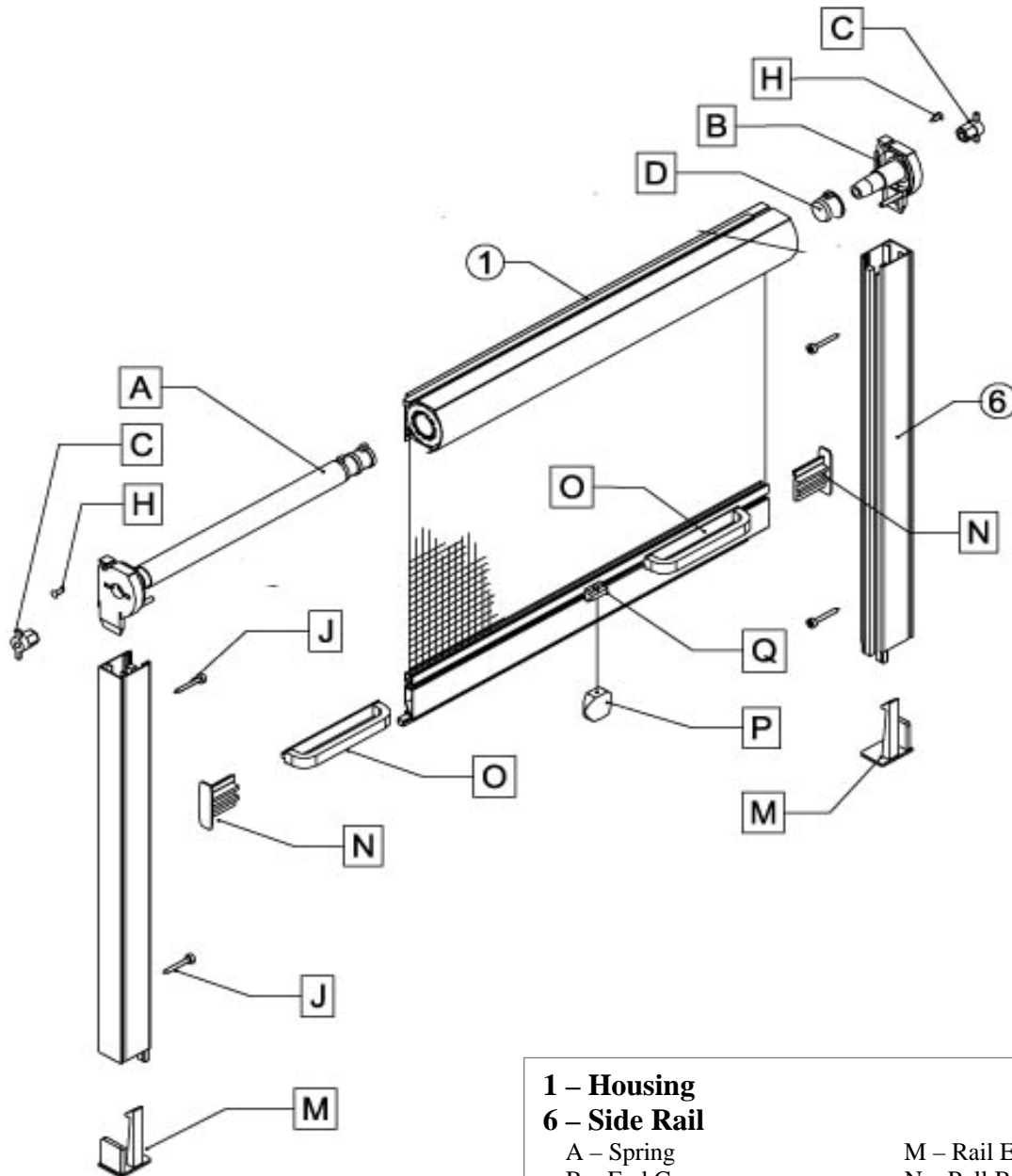
During use the internal lock mechanism will automatically catch once the retractable screen is fully extended. To retract the screen simply grasp the pull rail handle and provide a slight twisting action. Rotation of the pull rail is all that is needed to disengage the internal lock and retract the retractable screen.



Tools:

- A 10" or larger chop saw with 70 (or more), tooth Carbide tip blade for non-ferrous metals.
- Drill with appropriate Phillips tips (reversible tip with drill bit and tip combo is helpful)
- Drill bits – Soft Hammer – Tape Measure

Bravoscreens.com



1 – Housing

6 – Side Rail

- A – Spring
- B – End Cap
- C – End Cap Plug
- D – Bushing
- H – End Cap Screw
- J – Side Rails Screw

- M – Rail End Cap with Internal Lock
- N – Pull Bar Cap
- O – Handle
- P – Pull Cord Knob
- Q – Pull Cord Carrier