

Ultra Glide[®]

UPGRADE

For Bravo Retractable Insect Screen Doors

Assembly and Installation Instructions for the ULTRA Upgrade Counterbalance System.
To add the ULTRA Upgrade to an existing Bravo Retractable Screen Cassette Door installation.
It is designed to complement all of our Roller Cassette Doors.

Preparation

The Ultra Upgrade consists of a U-Profile (8) and a Cover Profile (9) which clip together.
There is an Accessory Kit containing all the necessary components.
(See Picture Guide inside)

Remove the existing Side Profile + Magnets and the existing Top and Bottom Guides.
Remove the existing End Caps and Magnetic Strip from the Sliding Bar. None of these items are required later.

Insert into the Sliding Bar, the appropriate ULTRA Upgrade Top and Bottom Sliding Bar End Caps (7) ensuring the Door Handles have been fitted before inserting the second End Cap. The End Caps in the Door Accessory Kit and one pair in the Smooth Upgrade kit can be discarded.

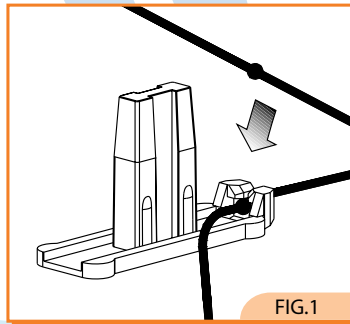


FIG.1

Measure the Height of the opening at the side where the Side Profile was originally fixed. Measure and cut the two ULTRA Upgrade profiles at the measured Height minus 31mm (1-3/16 inches).

NOTE: Both profiles must be the same length.

NOTE: The rounded face should be visible, the flat face is not seen. Select one End Cap (1b) and insert two Pulley Wheels (2) (if not already inserted). Insert the Cover Cap (3b) to complete this step.

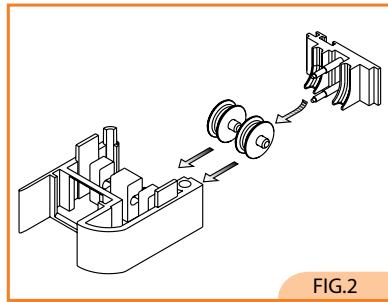


FIG.2

Select the second End Cap (1a) and insert two Pulley Wheels (2) (if not already inserted). Insert the Cover Cap (3a).

Fit the Top End Cap (1a) to the U-Profile (8) and fix with the small screw provided (4). Fit the Bottom End Cap (1b) to the U-Profile (8) and fix with the small screw provided (4).

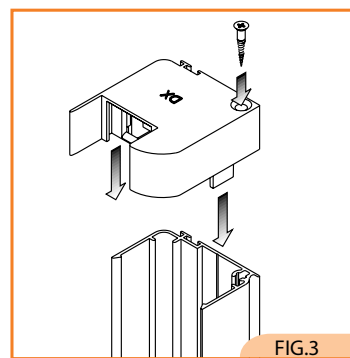


FIG.3

The tolerances for cutting the Top & Bottom Guide depend on the existing Cassette Door Screen. Refer to the table overleaf.

Take the Cord (5) provided - DO NOT CUT the Cord!
To determine the final cord length required, thread the Cord through the retaining groove in the new Sliding Bar Bottom End Cap (7) and tie a small temporary retaining knot, leaving approx. 200mm excess (8 inches).

Thread the Cord around the inner Pulley Wheel in the Bottom End Cap (1b) and up to the Top End Cap (1a). Thread around the outer Pulley Wheel in the Top End Cap and create a Loop of approx. 100mm (4 inches) (5). With adhesive tape, secure this Loop against the U-Profile (8) as a temporary precaution. Thread the Cord around the inner Pulley Wheel in the Top End Cap (1a) in line with the Top Guide position, and through the retaining groove in the new Sliding Bar Top End Cap (7). Now tie permanent knots in the Cord in BOTH Sliding Bar End Cap positions, large enough to prevent pulling out - and cut off the excess.

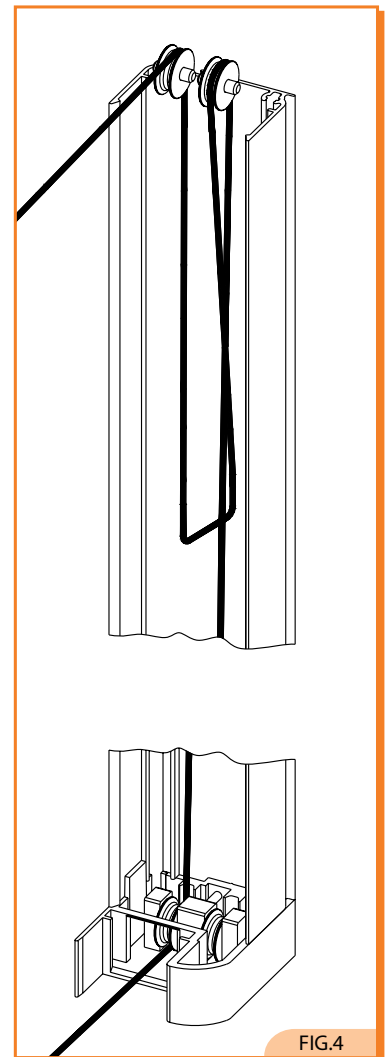


FIG.4

To install the system

The U-Profile (8) can now be fixed in position in place of the original Side Profile. Hook the Counterweight (6) onto the Cord Loop.

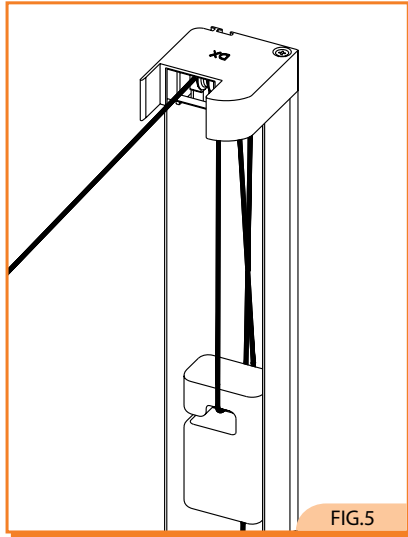


FIG.5

Take the ULTRA Cover Profile (9) and slide into the internal groove, the Screen Retaining Hook (10) taking care that the Hook is on the flat side of the Profile, not the rounded side. The Screen Retaining Hook (10) can be fixed in place in the centre of the Profile using the screws provided. Snap the SMOOTH Cover Profile (9) onto the U-Profile (8), taking care not to trap the Counterweight (6).

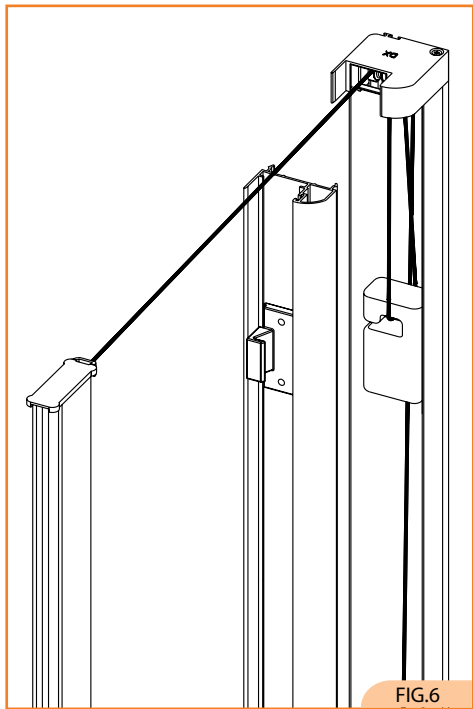


FIG.6

Check the measurement of the Top and Bottom Guides using the indicative table opposite. If at all possible secure the Top and Bottom Guides with screws.

Slide the Top Guide onto the existing Door Cassette Top End Cap as deep as possible and position the other end in the new Top End Cap (1a) of the ULTRA Profile (8+9). Let the Cord into the Guide, ensuring it runs free. Move the Top Guide approx. 2mm (1/10 inch) across from the Door Cassette End Cap.

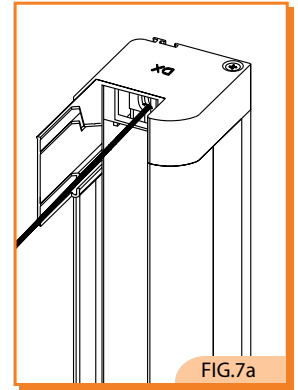


FIG.7a

Slide the Bottom Guide onto the existing Door Cassette Bottom End Cap as deep as possible and position the other end in the new Bottom End Cap (1b) of the ULTRA Profile (8+9). Let the Cord into the Guide, ensuring it runs free. Move the Bottom Guide approx. 2mm (1/10 inch) across from the Door Cassette End Cap. If at all possible secure the Top and Bottom Guides with original screws. Otherwise use bi-adhesive tape or silicone sealant.

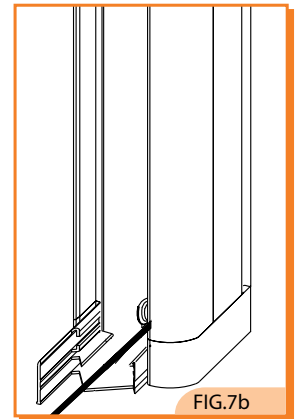


FIG.7b

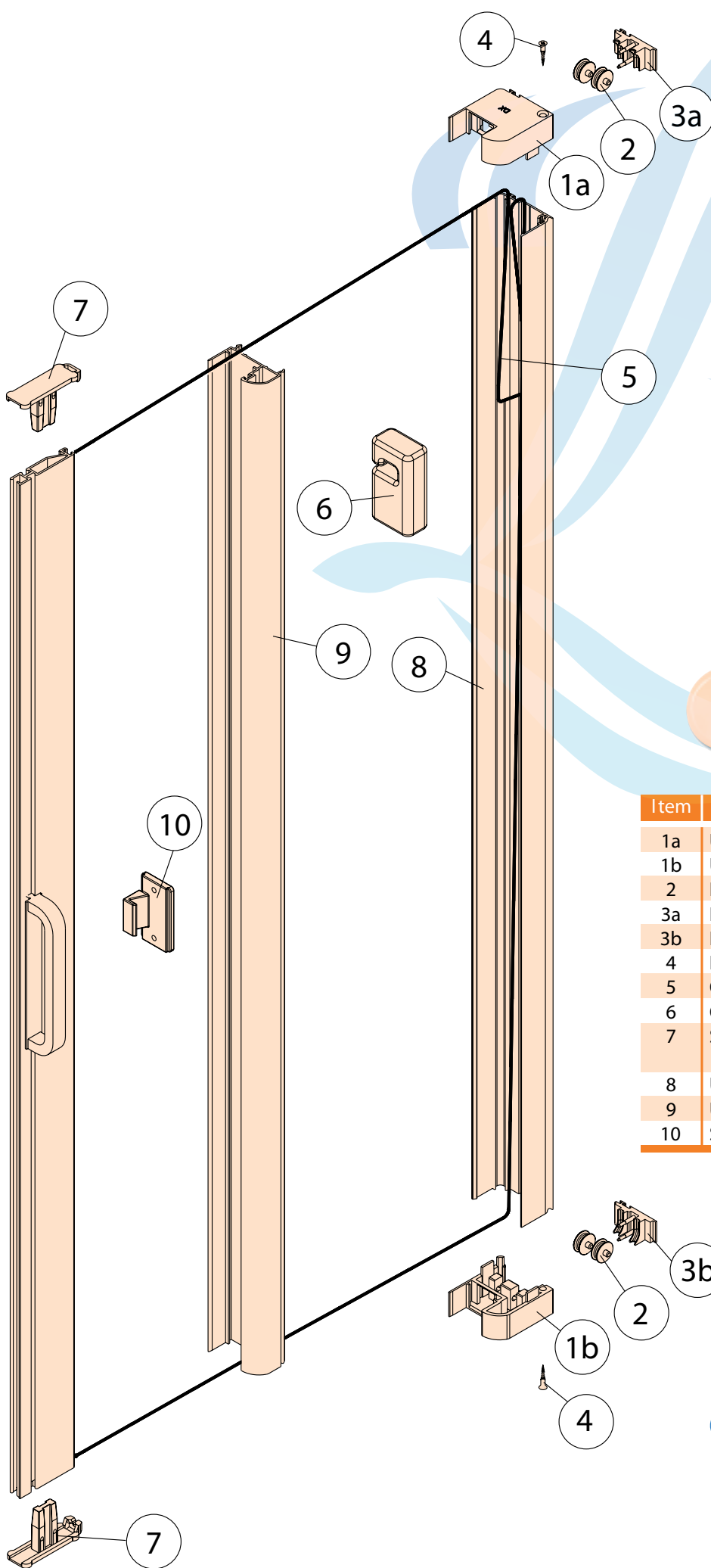
Test the action of the screen, which should now pull out of the Cassette with its new smooth glide performance by holding any part of the Sliding Bar, not only the Handle. It should stay in position at any intermediate point across the opening and it should be hooked closed by locating the Sliding Bar on the Screen Retaining Hook (10).

NOTE:
Maximum width = Door Height - 400mm (12 inches)
Ex: Max Width = 78" - 12" = 66"

Cutting specifications

Indicative measurements only. Check on site and allow a small movement tolerance (2mm) (1/10")

Cassette system & size	Cutting guide-use mm if possible!
M46 (46mm)	L minus 89mm Approx. (3 1/2")
M41 (41mm)	L minus 85mm Approx. (3 3/10")
M36 (36mm)	L minus 78mm Approx. (3 1/8")



Key to parts list of ULTRA Upgrade

Item	Description	No. pieces
1a	ULTRA PROFILE END CAP DX	1
1b	ULTRA PROFILE END CAP SX	1
2	PULLEY WHEEL	4
3a	END CAP DX COVER CAP	1
3b	END CAP SX COVER CAP	1
4	END CAP SCREW	2
5	CORD	1
6	COUNTERWEIGHT	1
7	SLIDING BAR END CAP	2
8	ULTRA U-PROFILE	1
9	ULTRA COVER PROFILE	1
10	SCREEN RETAINING HOOK	1